

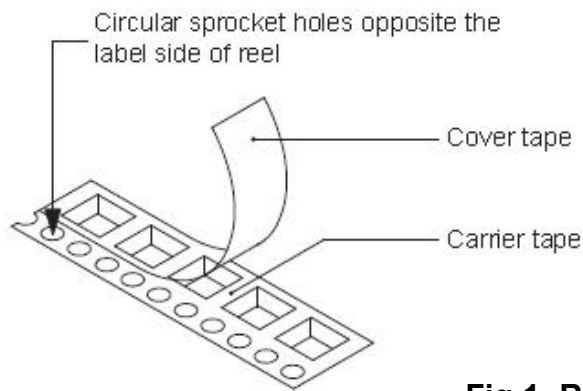
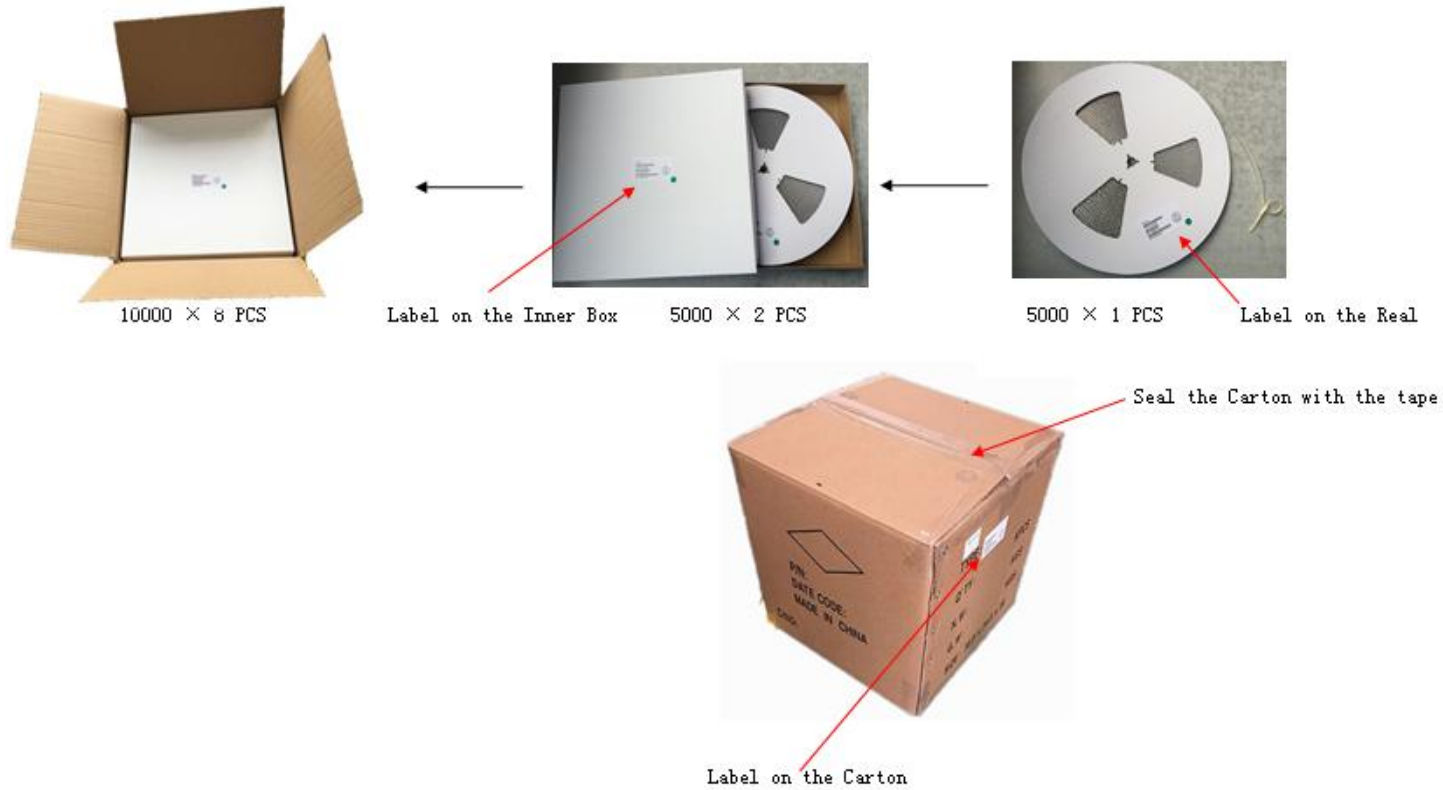
## DL-41 Packing information

B044, Rev. -

### 1. Finish Goods PKG photo



### 2. Packing method



**Fig.1- Reel pack for SMD**

# DL-41 Packing information

B044, Rev. -

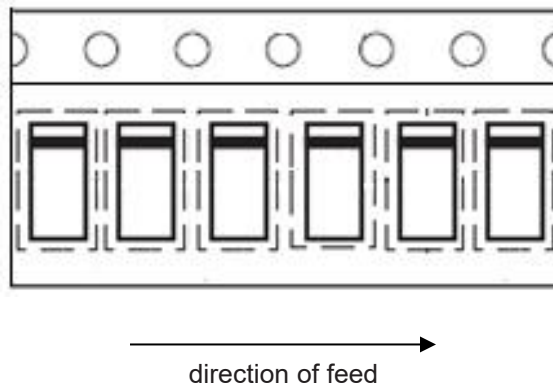
**Table 1. Packing information**

Package version	Reel dimensions $\phi$ (mm)	Pcs/reel (pcs)	Per reel weight (Kg)	Reels Inner box	Inner box weight (Kg)	Inner box dimensions L×W×H (mm)	Outer box weight (Kg)
DL-41	$\Phi 330 \times 16.8$	5000	0.2	2	1.12	335*335*40	9

Package version	Box (pcs)	Boxes per Carton	Carton dimensions L×W×H (mm)
DL-41	10000	8	365*365*360

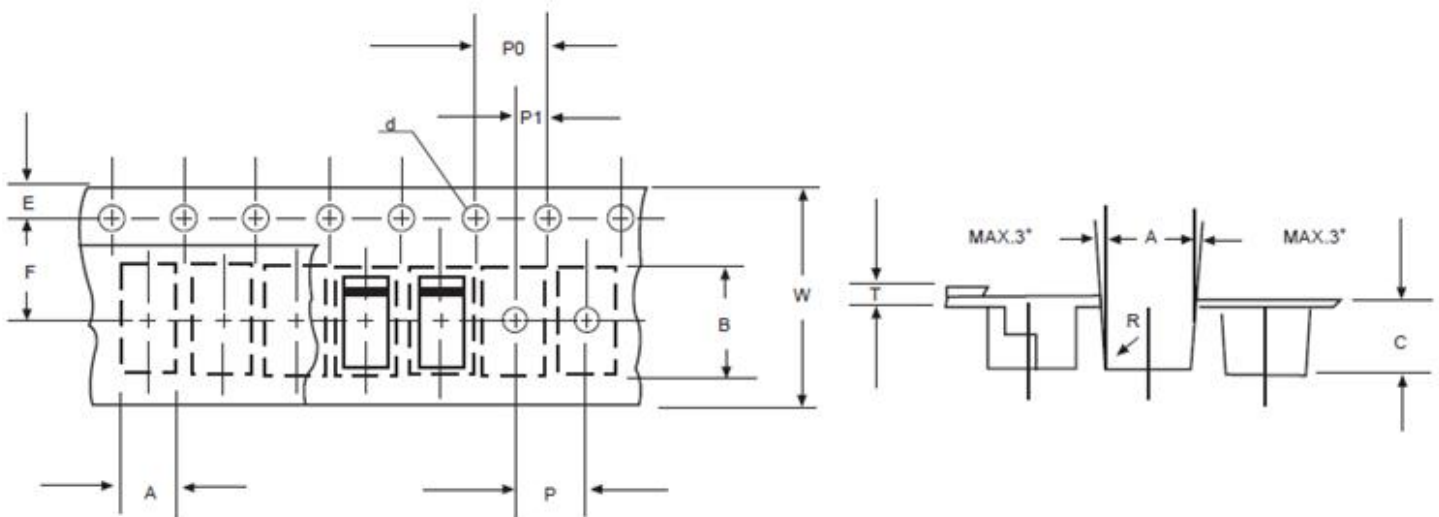
### 3. Product orientation

Standard product orientation DL-41



**Fig 2. Product orientation in carrier tape**

### 4. Carrier tape dimensions



**Fig 3. Carrier tape dimensions**

## 5. Reel dimensions

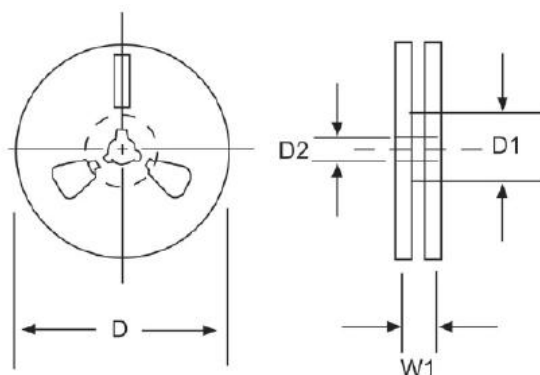


Fig 4. Reel dimensions

Table 2. Carrier tape dimensions

ITEM	SYMBOL	DL-41 mm(inch)
Carrier width	A	$2.95 \pm 0.1(0.116 \pm 0.004)$
Carrier length	B	$5.25 \pm 0.1(0.207 \pm 0.004)$
Carrier depth	C	$3.00 \pm 0.1(0.118 \pm 0.004)$
Sprocket hole	d	$1.5 \pm 0.1(0.059 \pm 0.004)$
Reel outside diameter	D	$330 \pm 2.0$ $(13 \pm 0.79)$
Reel inner diameter	D1	$8.0 \pm 0.2(0.315 \pm 0.008)$
Feed hole diameter	D2	$13 \pm 0.5(0.512 \pm 0.020)$
Sprocket hole position	E	$1.75 \pm 0.1(0.069 \pm 0.004)$
Punch hole position	F	$5.5 \pm 0.05(0.217 \pm 0.002)$
Punch hole pitch	P	$4.0 \pm 0.1(0.175 \pm 0.004)$
Sprocket hole pitch	P0	$4.0 \pm 0.1(0.157 \pm 0.004)$
Embossment center	P1	$2.0 \pm 0.1(0.079 \pm 0.004)$
Totall tape thickness	T	$0.28 \pm 0.02(0.011 \pm 0.0008)$
Tape width	W	$12.0 \pm 0.2(0.472 \pm 0.008)$
Reel width	W1	$16.8 \pm 2.0(0.661 \pm 0.079)$